

# Product Information



**Standard Cable assembly  
ODU MINI-MED / Break-Apart-Plug  
incl. Silicone cable**

## ODU MINI-MED / Break-Apart-Plug incl. cable and overmolding

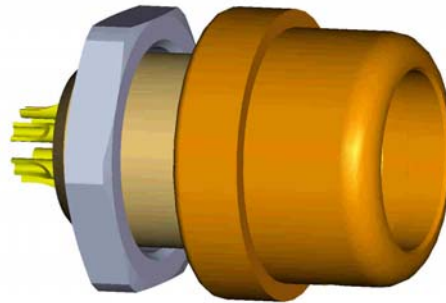


### Features:

- 02-to 06-positions
- protection class IP 68 in mated condition
- mechanical keying
- turned contacts
- mating cycles: 5.000
- operating temperature: -25°C up to + 70°C
- blind mating possible
- extreme flexible silicone cable
- cable FDA approval
- Available in the cable lengths: 0,5m/ 1,0m/ 1,50m/ 2,0m/ 3,0m/ 5,0m
- ETO sterilizable
- DEHP free
- wipe disinfection
- 0,9% NaCl resistant

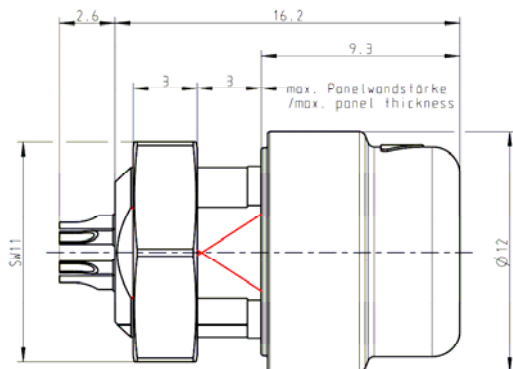


## Receptacle ODU MINI-MED / Break-Apart-Plug



### Features:

- 02-up to 06-positions
- Assembly port  $\varnothing$  8,7 / SW 7,3
- installation from front of panel
- protection class IP 68 in mated condition
- mechanical Keying
- turned contacts
- mating cycles: 5.000
- operating temperature: -25°C up to + 70°C
- blind mating possible
- ETO sterilizable
- DEHP free
- wipe disinfection
- 0,9% NaCl resistant

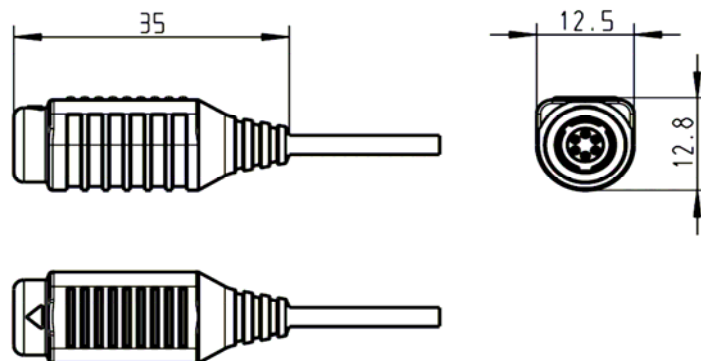


## In-Line Receptacle ODU MINI-MED / Break-Apart-Plug



### Features:

- 02-to 06-positions
- protection class IP 68 in mated condition
- mechanical keying
- turned contacts
- mating cycles: 5.000
- operating temperature: -25°C up to + 70°C
- blind mating possible
- extreme flexible silicone cable
- cable FDA approval
- Available in the cable lengths: 0,5m/ 1,0m/ 1,50m/ 2,0m/ 3,0m/ 5,0m
- ETO sterilizable
- DEHP free
- wipe disinfection
- 0,9% NaCl resistant



**Technical features:**

Positions	Contact Ø (mm)	Terminal cross section		max. current load according to VDE 0891 part 1 (max. ambient temperature 50 °C)		Test voltage (kV) acc. SAE AS 13441 (1998)	Nominal voltage (kV) acc. SAE AS 13441 (1998)
		AWG	mm <sup>2</sup>	single	compl.		
02	0.9	22	0.38	5.5 A	5.5 A	1.500	0.500
03	0.9	22	0.38	5.5 A	5.5 A	1.200	0.400
04	0.7	26	0.15	3.25 A	3.25 A	1.100	0.366
05	0.7	26	0.15	3.25 A	2.4 A	1.100	0.366
06	0.5	28	0.08	2.25 A	1.65 A	0.900	0.300

### Further Information:

**ODU Steckverbindingssysteme GmbH & Co. KG**

**Otto Dunkel GmbH**

**ODU Automotive GmbH**

Pregelstraße 11

D – 84453 Mühldorf am Inn

Phone: +49/8631/6156-0

Fax: +49/8631/6156-49

E-Mail: [zentral@odu.de](mailto:zentral@odu.de)

[www.odu.de](http://www.odu.de)

### **ODU Globally**



**ODU France**

Phone.: +33/13935-4690

E-Mail: [odu@odu.fr](mailto:odu@odu.fr)

**ODU Scandinavia**

Phone.: +46/176/182 61

E-Mail: [peter.biloch@odu.se](mailto:peter.biloch@odu.se)

**ODU Shanghai**

Phone: +86/21/5834 7828-106

E-Mail: [chen.xin@odu.com.cn](mailto:chen.xin@odu.com.cn)

**ODU UK**

Phone.: +44/1509-266 433

E-Mail: [sales@odu-uk.co.uk](mailto:sales@odu-uk.co.uk)

**ODU USA**

Phone.: +1/805/484 0540

E-Mail: [joe.cisi@odu-usa.com](mailto:joe.cisi@odu-usa.com)